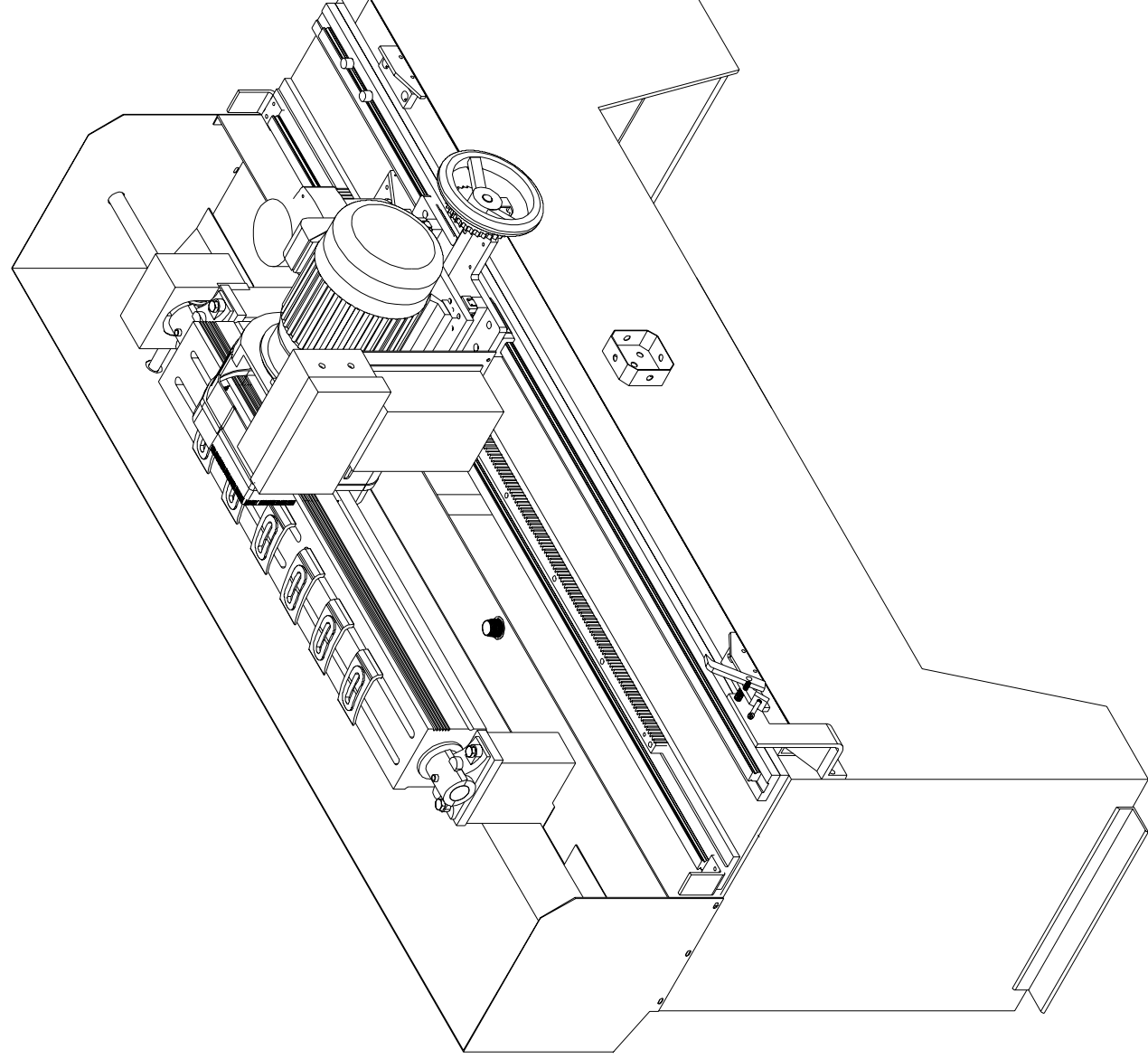


HANCHETT

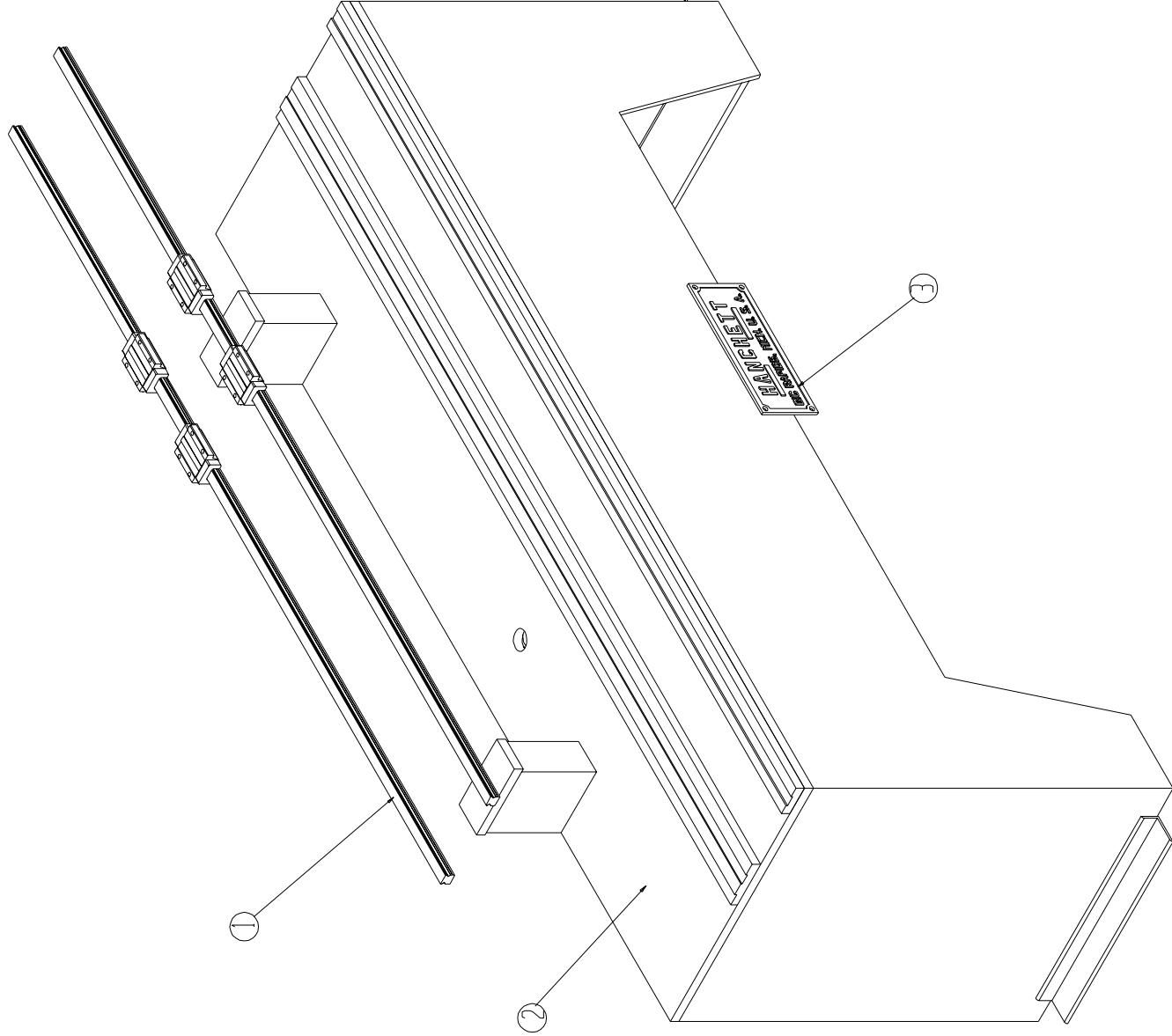
HAN-48" KNIFE GRINDER



ILLUSTRATED PARTS LIST

BASE ASSEMBLY

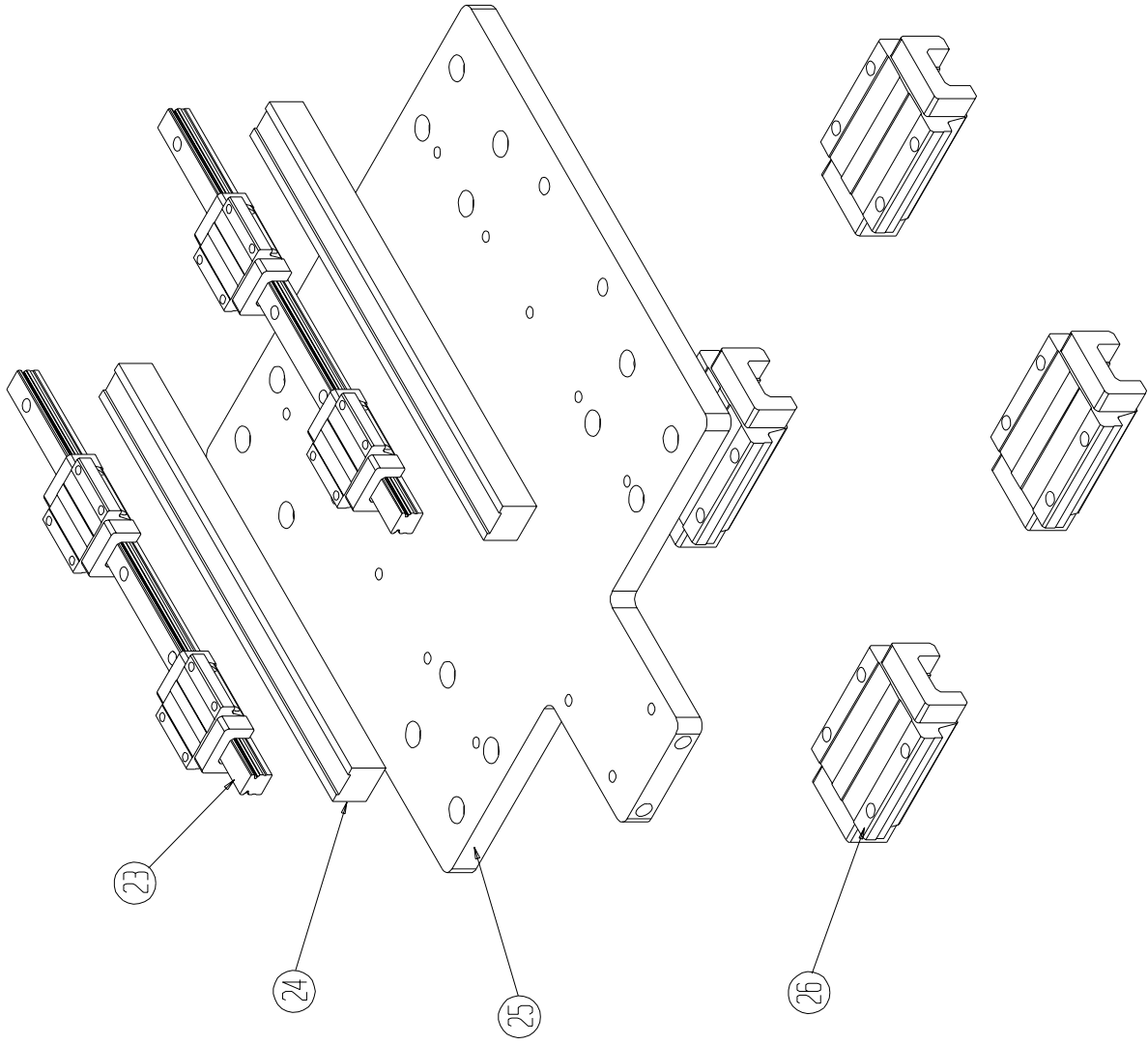
SYM.	DESCRIPTION	PART #
1	25 MM HIWIN RAIL SYSTEM	CW0047R
2	BASE	HG-0207-M-1
3	NAMEPLATE	DN-348



BASE ASSEMBLY

CARRIAGE ASSEMBLY

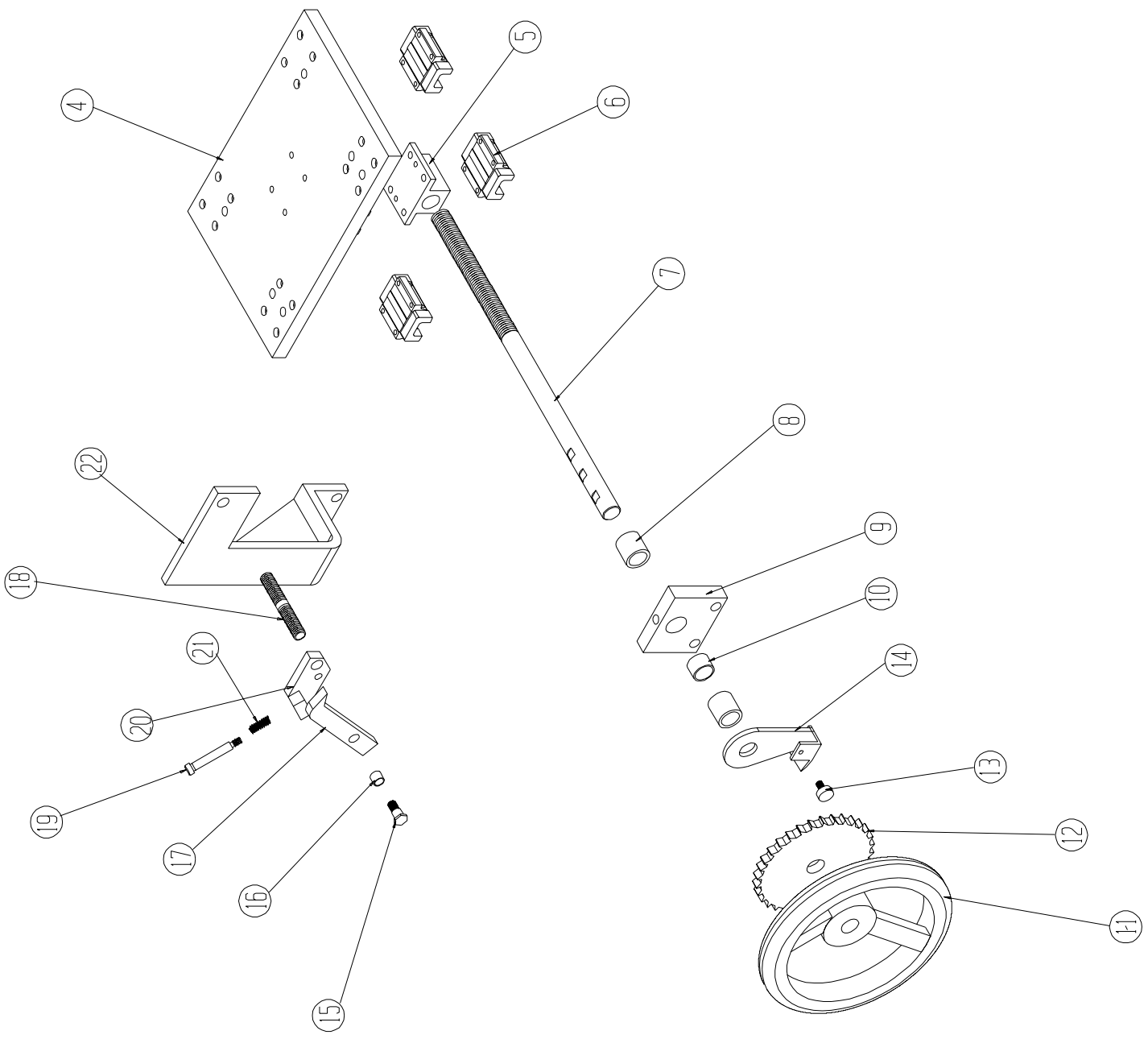
SYM.	DESCRIPTION	PART #
23	15 MM HI WIN RAIL	CVW0046Z
24	SPACERS	HG-215
25	CARRIAGE PLATE	HG-0050
26	25 MM HI WIN BEARING BLOCK	CVW0047R



CARRIAGE ASSEMBLY

CROSSFEED ASSEMBLY

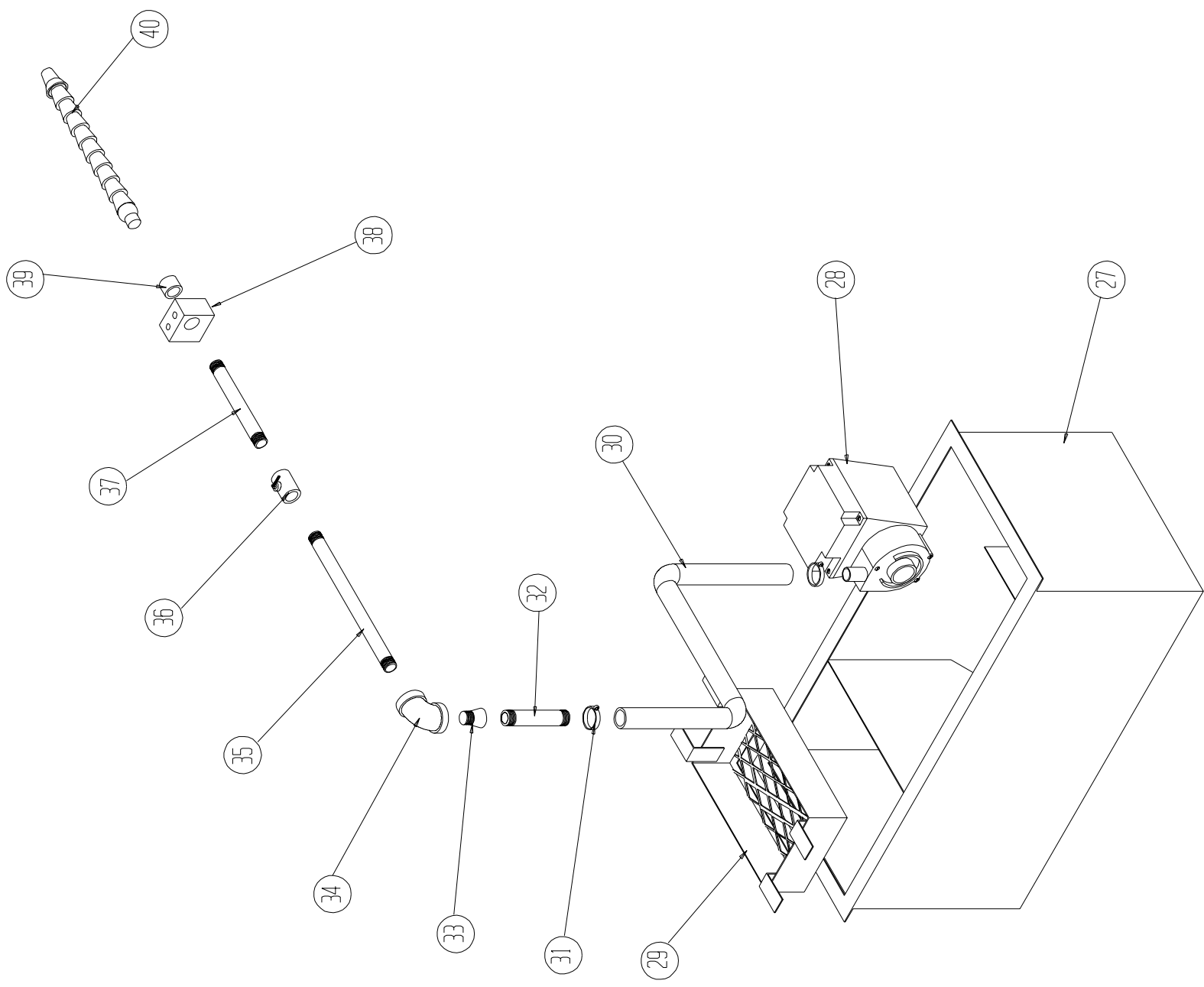
SYM.	DESCRIPTION	PART #
4	SLIDE	HG-0003-1
5	CROSSFEED SCREW NUT	HG-0007
6	HIWIN BEARINGS	CVV0046Z
7	CROSSFEED SCREW	HG-0006
8	COLLAR	PAK0004L
9	CROSSFEED BRACKET	HG-0009
10	SLEEVE BUSHING	CEE0068S
11	HANDWHEEL	HG-0026
12	RATCHET WHEEL	HG-0023
13	LOCKING SCREW	DN-427
14	PREDETERMINED STOP	1-502-03-020
15	RATCHET PAWL PIN	RA-51-1
16	SLEEVE BUSHING	CEE0025C
17	RATCHET PAWL	HG-0018
18	FEED ADJUSTING BRKT SCREW	PEE0037K
19	THUMB SCREW	PAS0012W
20	FEED ADJUSTING BRACKET	HG-0019
21	SPRING	72-C-1180-3
22	CROSSFEED MOUNTING BRACKET	HG-0024



CROSSFEED ASSEMBLY

COOLANT ASSEMBLY

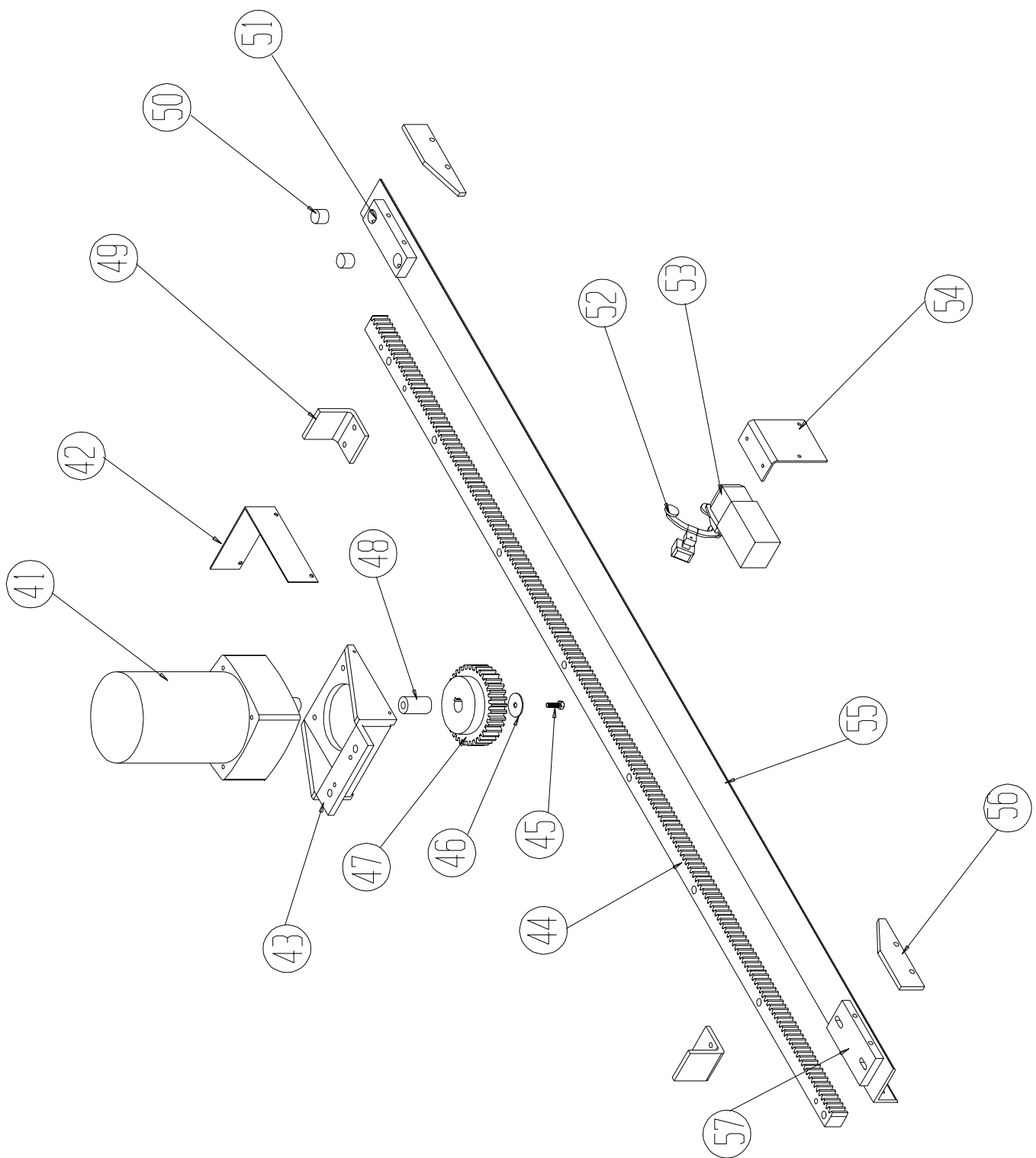
SYM.	DESCRIPTION	PART #
27	COOLANT TANK	RA-177
28	COOLANT PUMP	JAA008A
29	COOLANT STRAINER	1-501-01-095-2
30	VINYL TUBING .88 I.D 1.12 O.D.	KLL0011H
31	WORM GEAR CLAMP	PAE0004Z
32	1/2 X 4" NIPPLE	PBB0031S
33	REDUCER COUPLING	PBB0163Z
34	3/8" STREET ELL	PBB0078G
35	3/8" X 10" NIPPLE	PBB0025W
36	3/8" SHUT OFF VALVE	FBB0056F
37	3/8" X 6" NIPPLE	PBB0024D
38	COOLANT PIPE HOLDER	100-466-1
39	3/8" PIPE COUPLING	PBB0056F
40	1/2" LOC LINE HOSE	KLL0028L



COOLANT ASSEMBLY

DRIVE SYSTEM

SYM.	DESCRIPTION	PART #
41	1/4 H.P. - 42 RPM MOTOR	BGG0135V
42	RACK PINION GUARD	HG-0053-1
43	TRANSMISSION MOTOR BRACKET	HG-0016
44	RACK	HG-0021-4
45	1/4-20 X 3/4 HEX HD. CAP SCREW	PDD0004S
46	DRIVE MOTOR WASHER	HG-0057
47	RACK PINION	HG-0049
48	3/4 X 7/8 X 1-1/2 SLEEVE BUSHING	CEE0063P
49	CARRIAGE STOP	HG-0011-1
50	MAGNET	P8D0003H
51	MOVEABLE MOUNTING PLATE	HG-0013
52	FORK ROLLER ARM	AGG0143L
53	LIMIT SWITCH	AXX0026T
54	LIMIT SWITCH BRACKET	HG-0012
55	TRIP DOG RAIL	HG-0017-4
56	TRIP DOG RAMP PLATE	HG-0015
57	STATIONARY MOUNTING PLATE	HG-0014

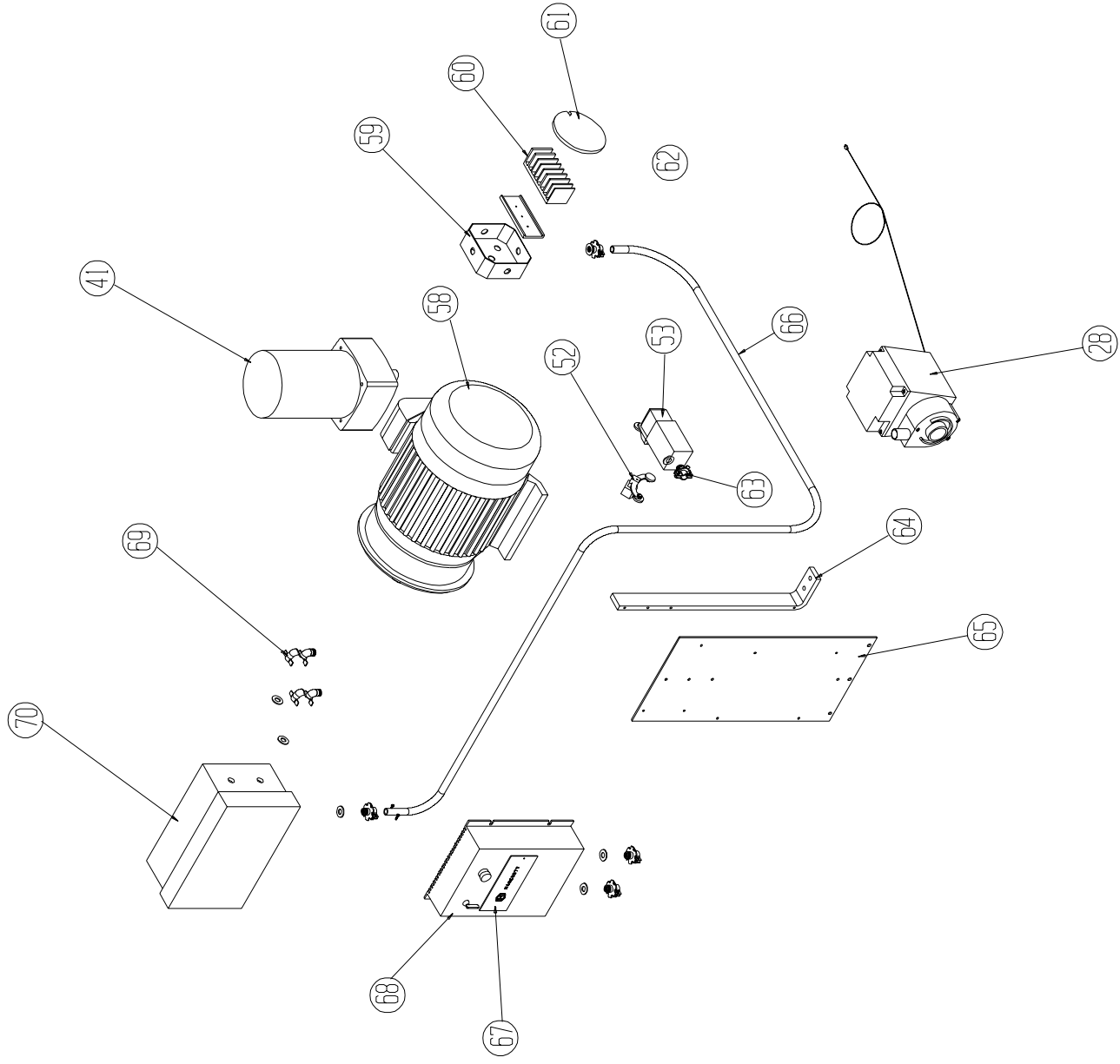


DRIVE SYSTEM

ELECTRICAL COMPONENTS

SYM.	DESCRIPTION	PART #
28	COOLANT PUMP	JAA0008A
41	1/4 HP - 42 RPM MOTOR	BGG0135V
52	FORK ROLLER ARM	AGG0143L
53	LIMIT SWITCH	AXX0026T
58	3 HP - 1800 RPM MOTOR	BAA0188P
59	OUTLET BOX	ACC0206W
60	TERMINAL BLOCK	AGG0019P
61	OUTLET BOX COVER	ACC0207B
62	1/2" STRAIGHT CONNECTOR	PAAD038P
63	1/2" STRAIGHT CONNECTOR	HG-0051
64	ELECTRICAL PANEL BRACKET SUPPORT	HG-0040
65	ELECTRICAL PANEL BRACKET	KNN0016P
66	14-6 S.D. CORD	NP-67-1
67	NAMEPLATE	AAC0027G
68	SPEED CONTROL	PAA0222N
69	3/8 X 90° CONNECTOR	ABB0126L
70	3 PH - STARTER	AKK0208E
71	W-54 HEATER **	

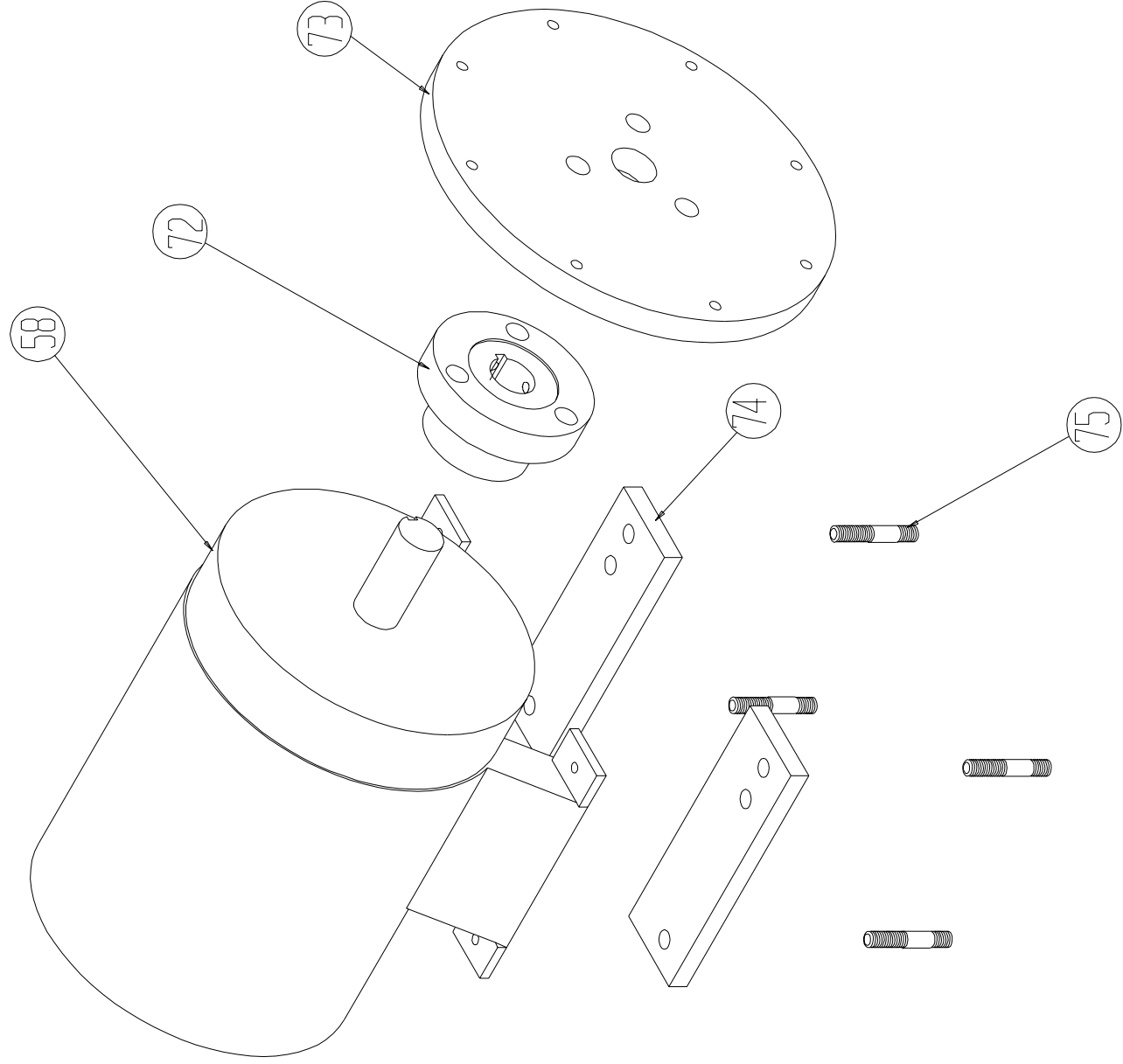
** NOT SHOWN



ELECTRICAL COMPONENTS

HEAD ASSEMBLY

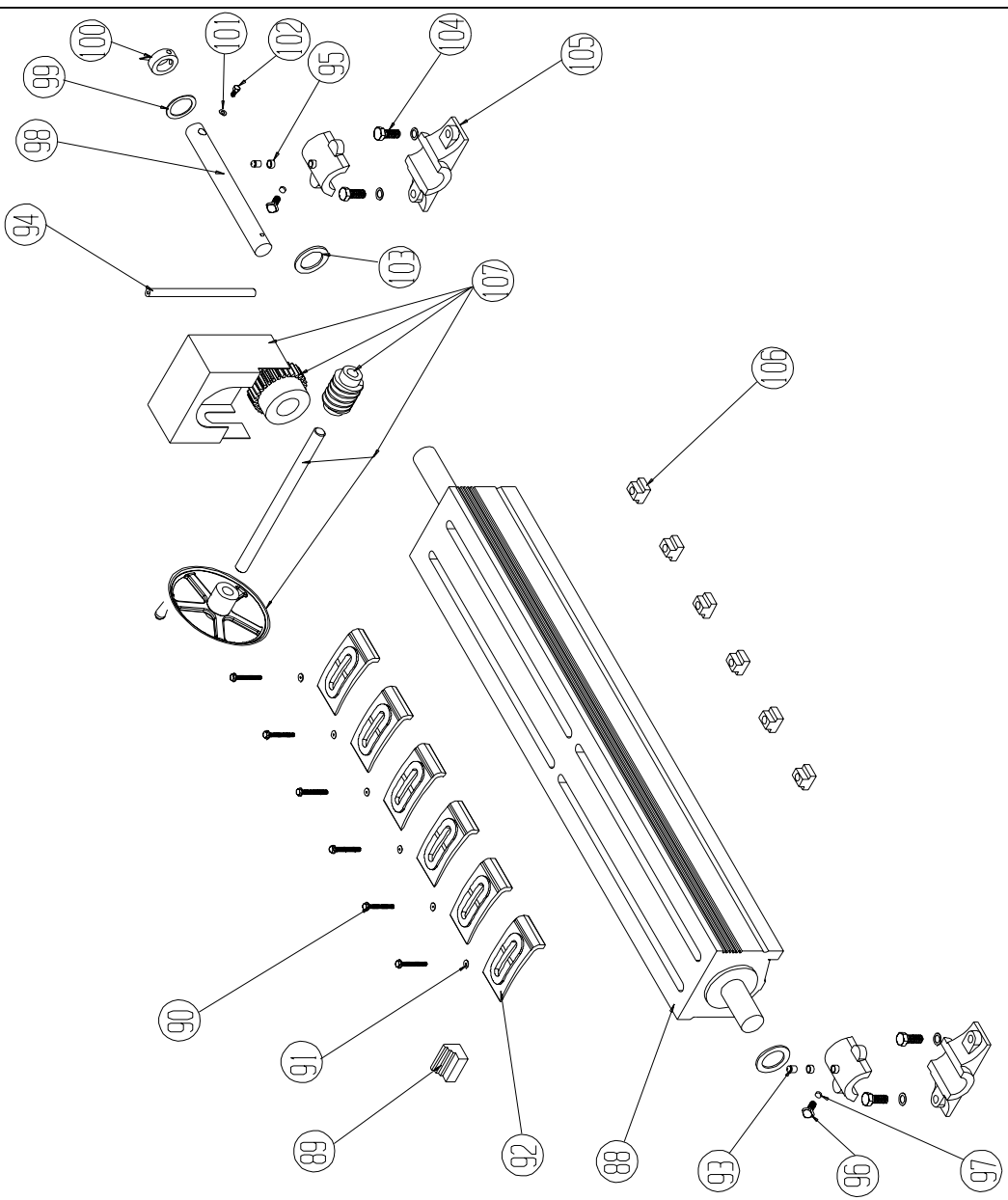
SYM.	DESCRIPTION	PART #
58	3 HP - 1800 RPM MOTOR	BAA0179N
72	WHEEL COLLAR	HG-0008
73	WHEEL PLATE	LH-41-6
74	MOTOR SPACER	HG-0025-1
75	MOTOR STUD	HG-0058



HEAD ASSEMBLY

KNIFE BAR ASSEMBLY

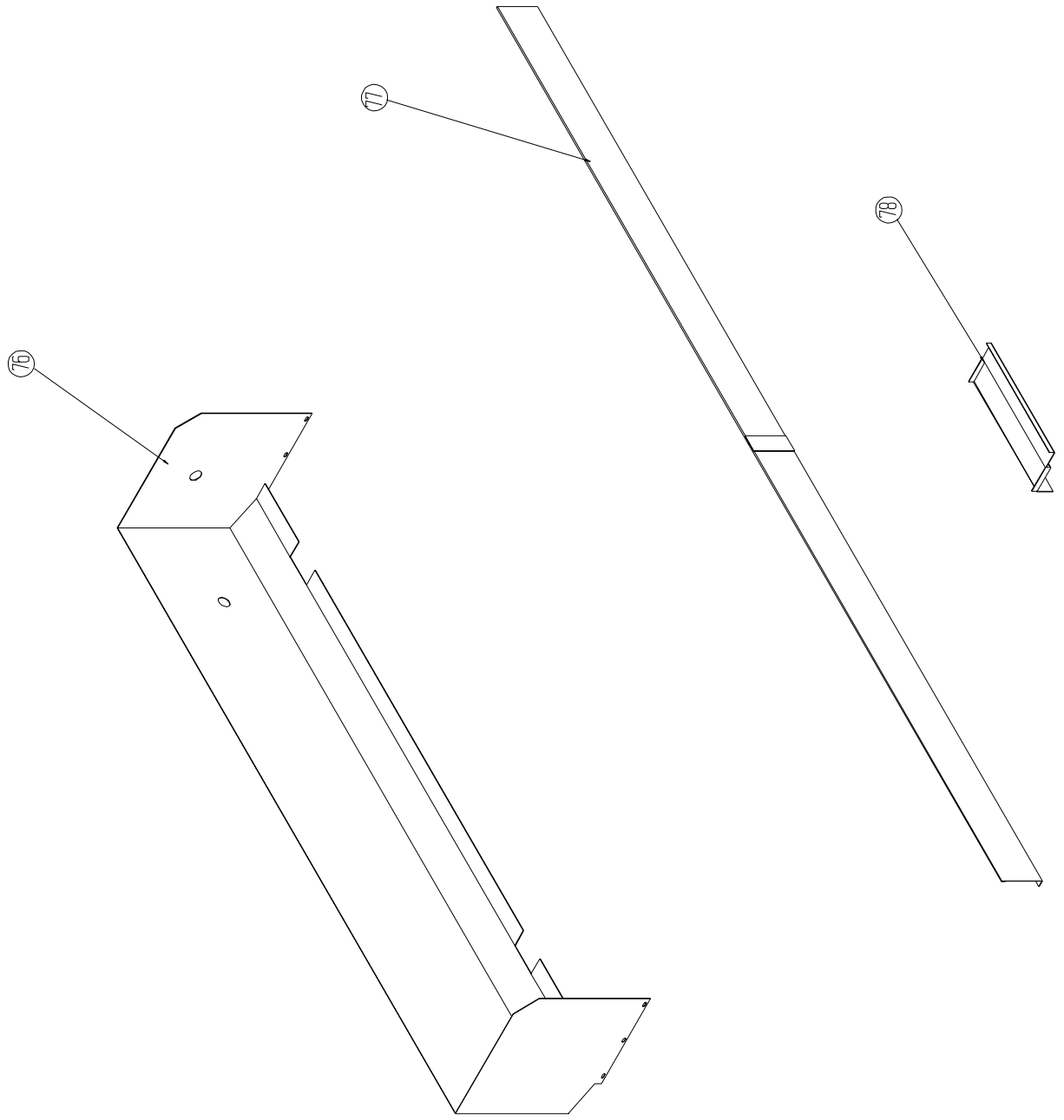
SYM.	DESCRIPTION	PART #
88	KNIFE BAR	HG-0027-5
89	KNIFE ALIGNING FIXTURE	MG-050
90	7/16-13 X 2.5 HEX HD. CAP SCREW	PDD0035Z
91	1/2 FLAT WASHER	PXX0007G
92	KNIFE CLAMP	C-80
93	1/8 STRAIGHT GREASE FITTING	PBL0001N
94	KNIFE BAR HANDLE	HG-0029-1
95	1/4-1/8 REDUCER BUSHING	PBB00095T
96	3/8-16 X 1" SQ. HD. SET SCREW	PFF0001G
97	BRASS PLUG	1245
98	KNIFE BAR SHAFT	HG-0028
99	DIAL INDICATING RING	PAX0002E
100	POINTER ASSEMBLY	HG-0030
101	1/4 FLAT WASHER	PXX0058L
102	1/4-20 X 1/2" HEX HD. CAP SCREW	PDD0002J
103	KNIFE BAR SPACER	HG-0032
104	1/2-13 X 1-1/4 HEX HD. CAP SCREW	PDD0029M
105	KNIFE BAR SLEEVE BEARING	HG-0031/HG-0031-2
106	1/2-13 (5/8 SLOT) T NUT	PYY0002Z
107	WORM GEAR ASSEMBLY	



KNIFE BAR ASSEMBLY

SPLASH GUARD ASSEMBLY

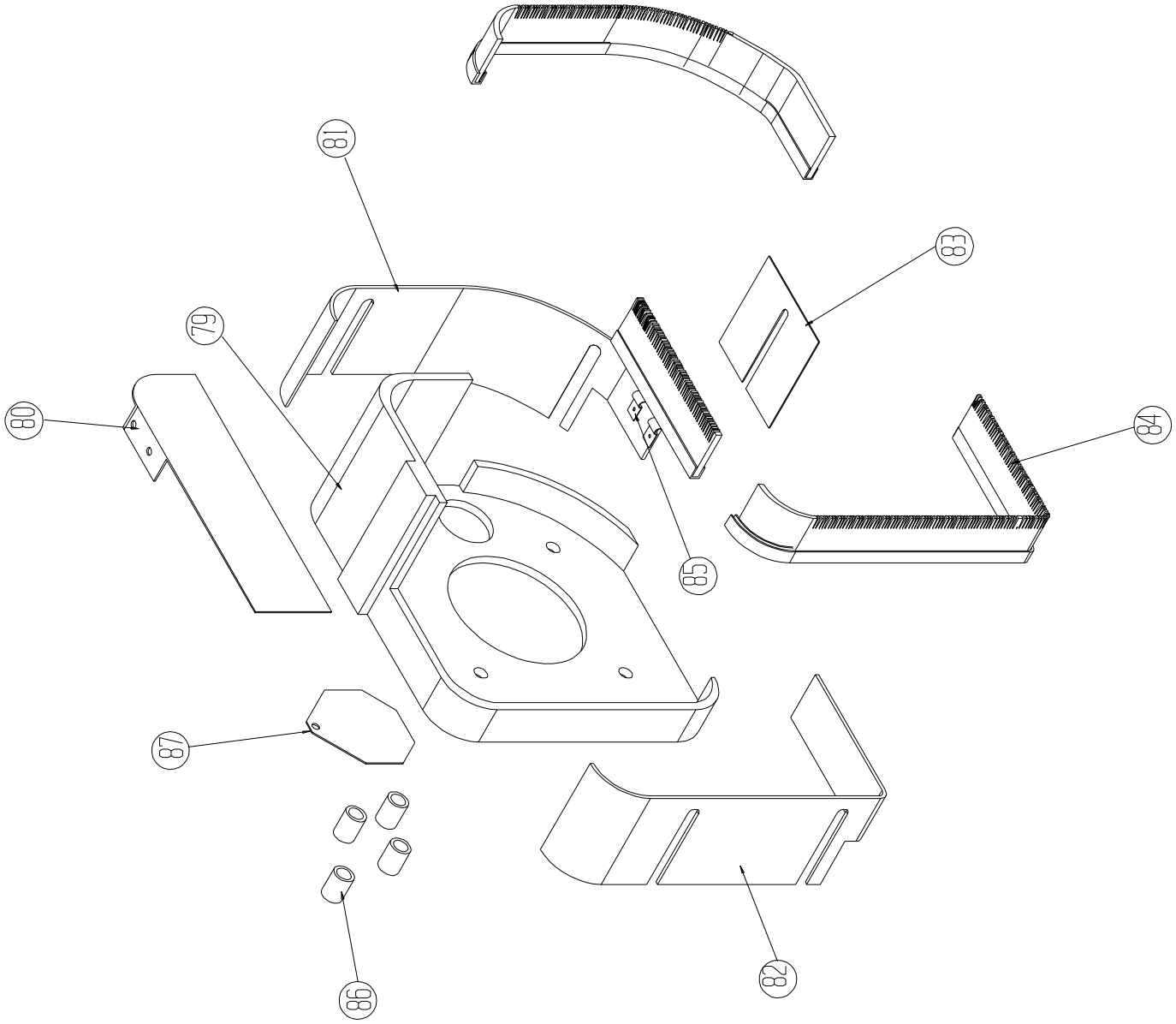
SYM.	DESCRIPTION	PART #
76	KNIFE GAR SPLASH GUARD	HG-0208
77	RAIL SPLASH GUARD	HG-0036-4
78	CARRIAGE SPLASH GUARD	HG-0035



SPLASH GUARD ASSEMBLY

WHEEL GUARD ASSEMBLY

SYM.	DESCRIPTION	PART #
79	WHEEL GUARD	DN-381/DN-381-A
80	FRONT WHEEL GUARD	RA-58
81	L.H. WHEEL GUARD EXTENSION	HG-0033
82	R.H. WHEEL GUARD EXTENSION	HG-0034
83	WHEEL DRESSER SLOT COVER	HG-0044
84	2-1/2 X 48" BRUSH STRIP	PAZ0002W
85	TUBING STRAP	PAA0022C
86	WHEEL GUARD SPACER	RA-304-1
87	WHEEL GUARD HOLE COVER	HG-0045



WHEEL GUARD ASSEMBLY